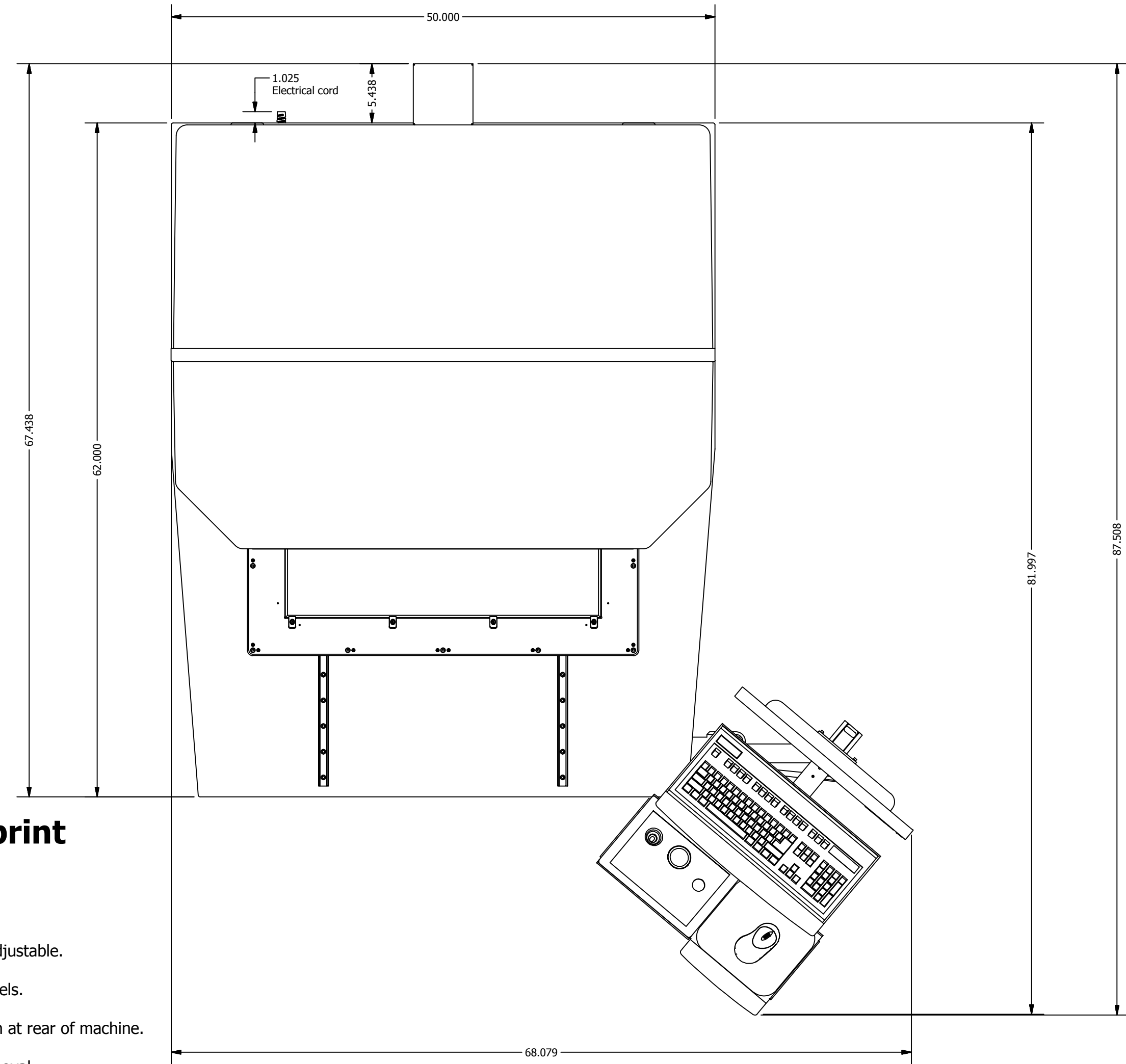
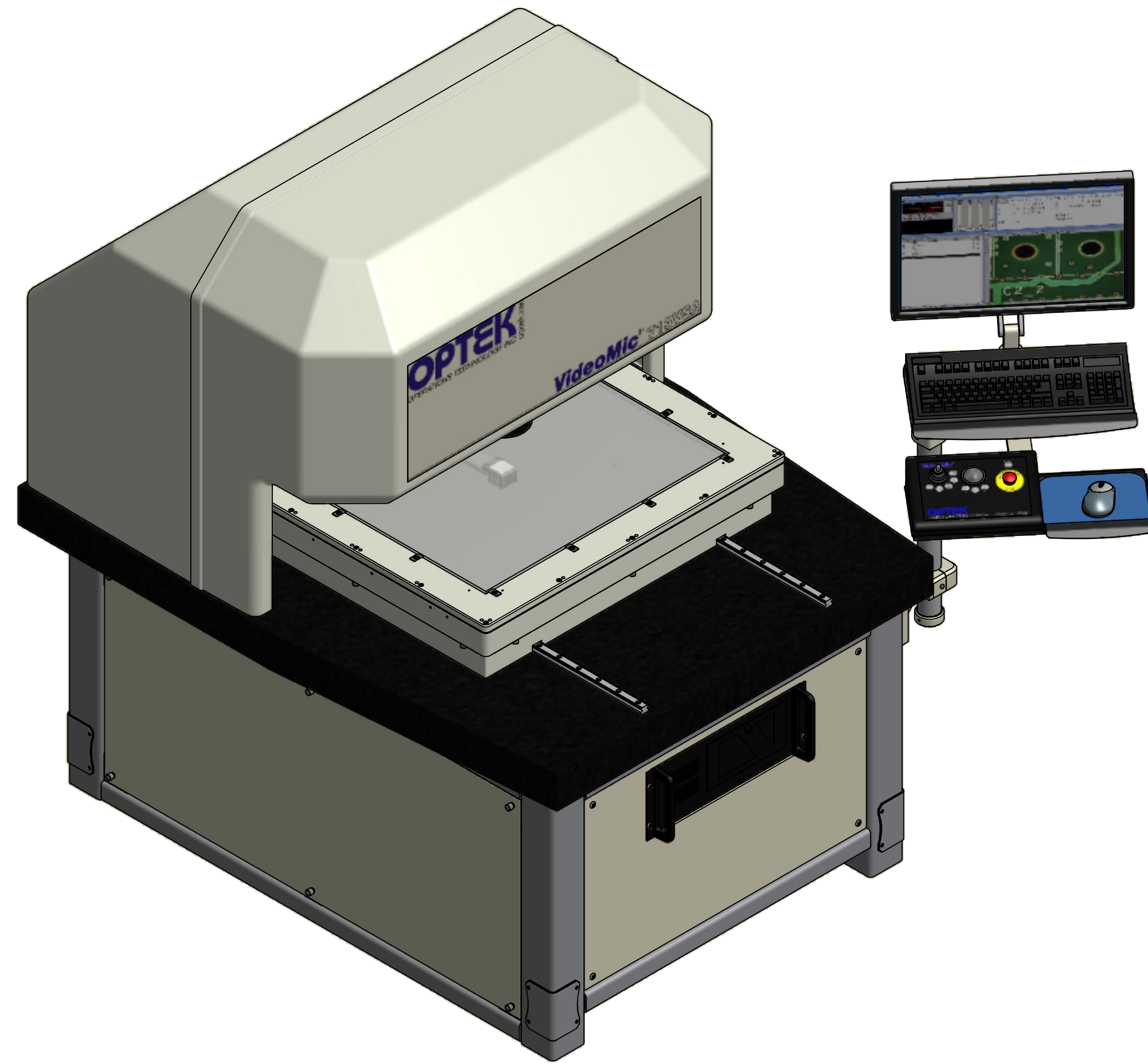
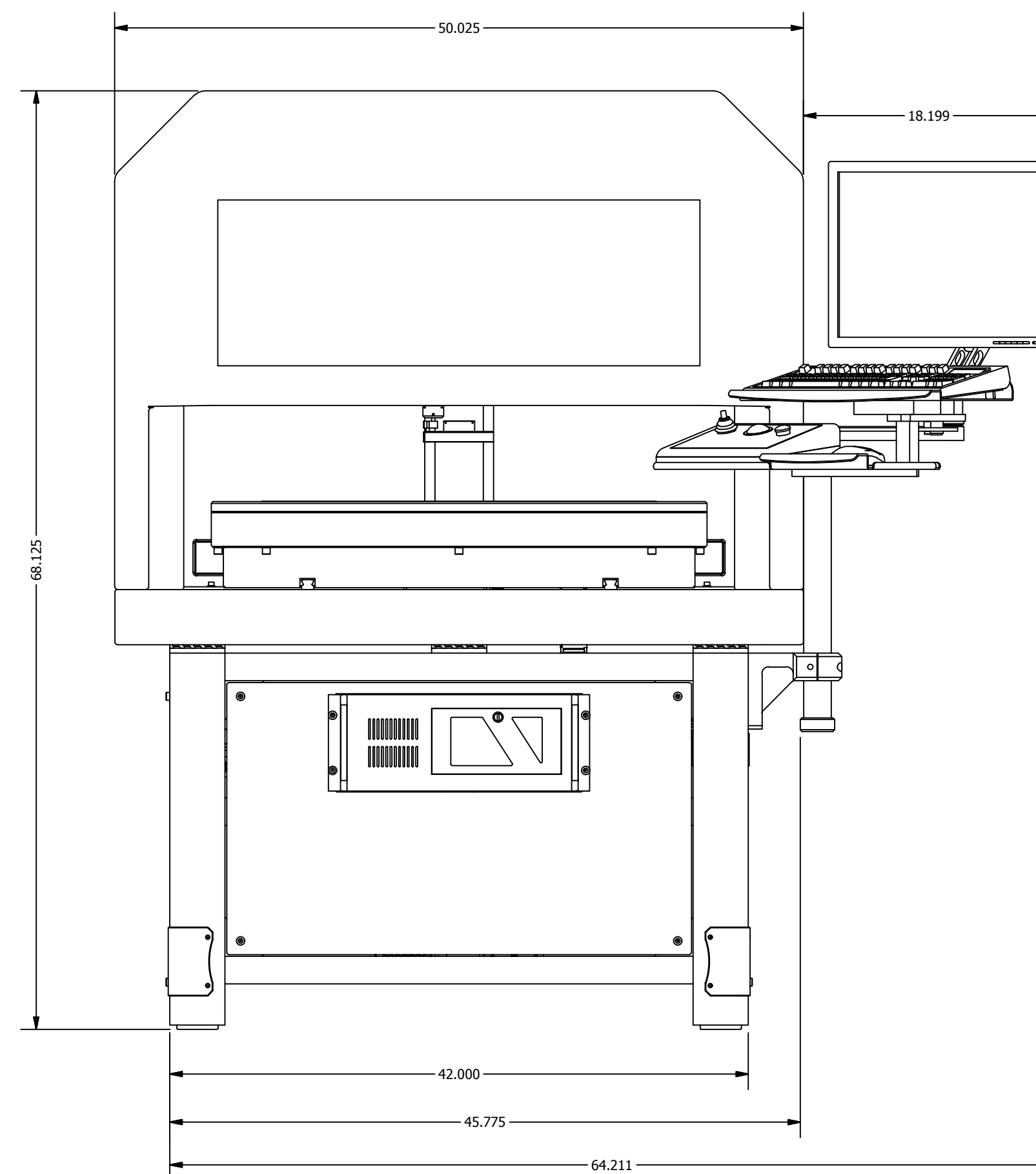
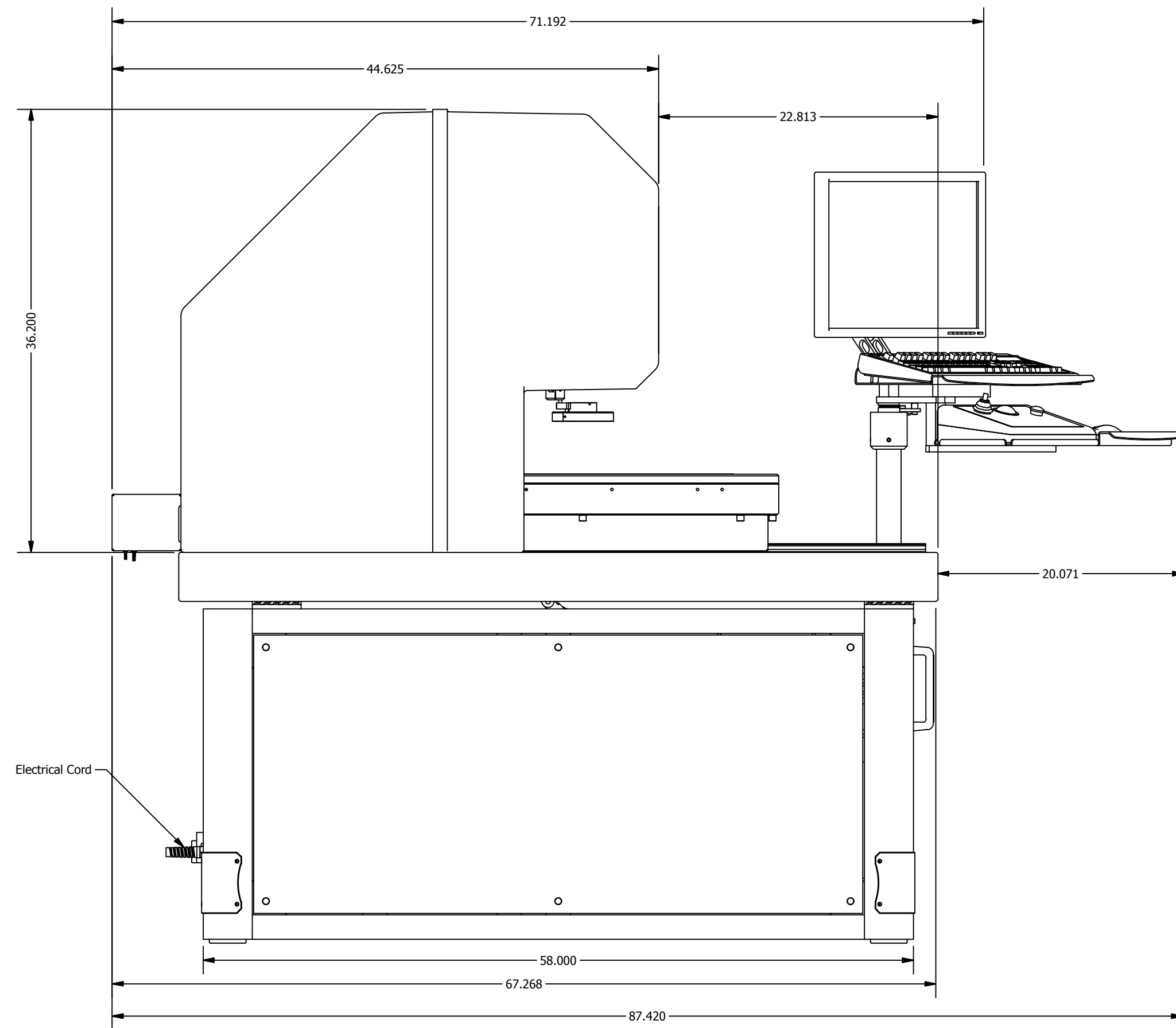


REVISION HISTORY			
REV.	DESCRIPTION	DATE	BY
A	As Issued	06/17/14	???



### 713VSM Footprint

- Options may vary from those shown.
- Typical monitor position shown. Monitor arm height and rotation is adjustable.
- Allow for access to rear and side panels.
- Allow for air and electrical connection at rear of machine.
- Allow 45" top clearance for hood removal.



The information in this drawing is the CONFIDENTIAL property of Operations Technology, Incorporated. Disclosure or duplication without prior approval is strictly prohibited.

**OPTEK**  
OPERATIONS TECHNOLOGY INC  
(UNLESS NOTED)

UNITS = INCH (MM)  
 0.00 [0.0]: ±0.030 [±0.75]  
 0.000 [0.00]: ±0.010 [±0.25]  
 0.0000 [0.000]: ±0.0010 [±0.025]

TOLERANCES: (UNLESS NOTED)

DATE: 6/17/2014 SCALE: 1:9 SHEET: 1 OF 1

DRAWING NUMBER: 7100-3406 REV: A

DESIGN BY: Craig Smigel DRAWN BY: Carl Trubiano

TITLE: Layout, Machine Footprint, 713VSM