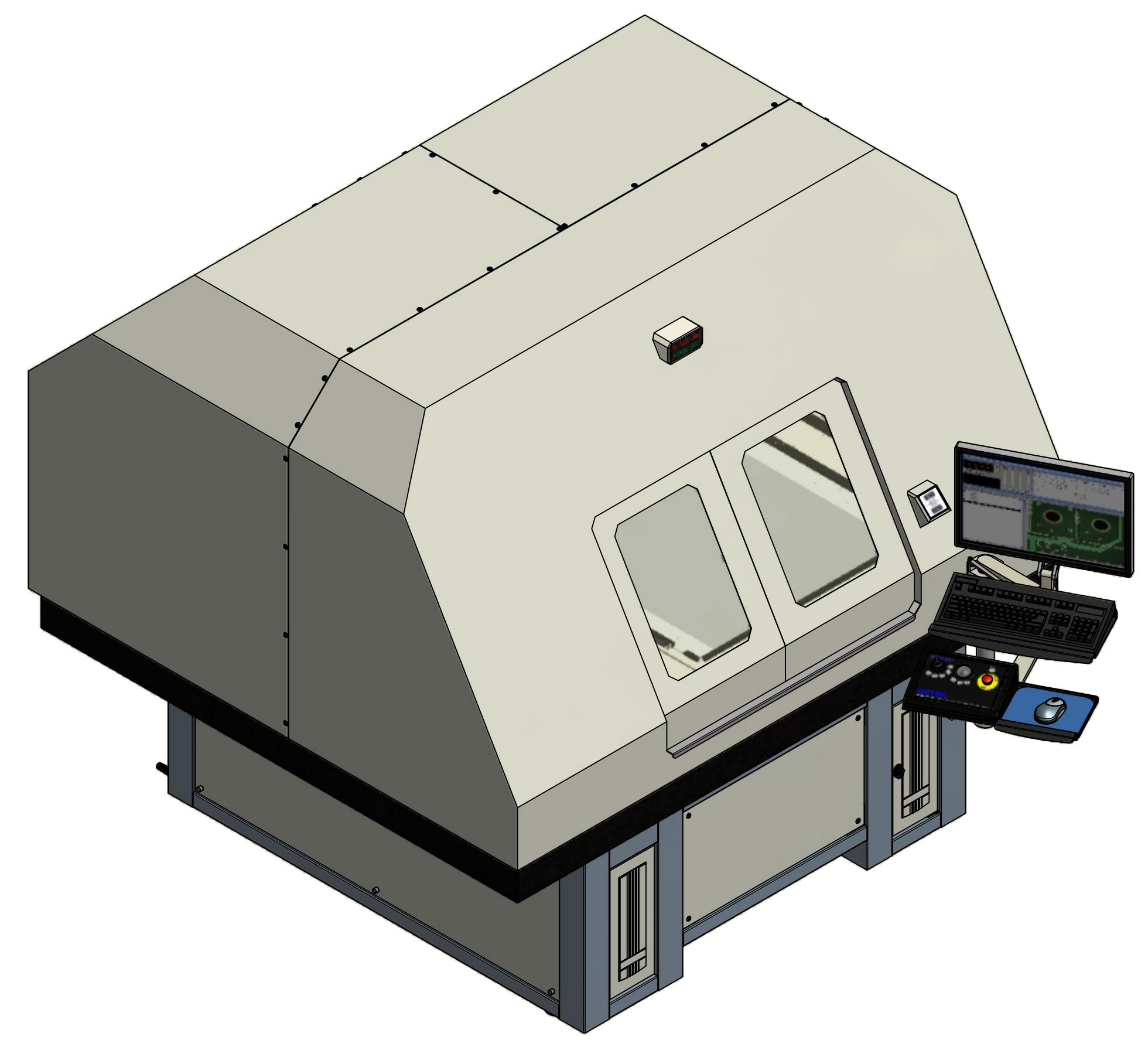
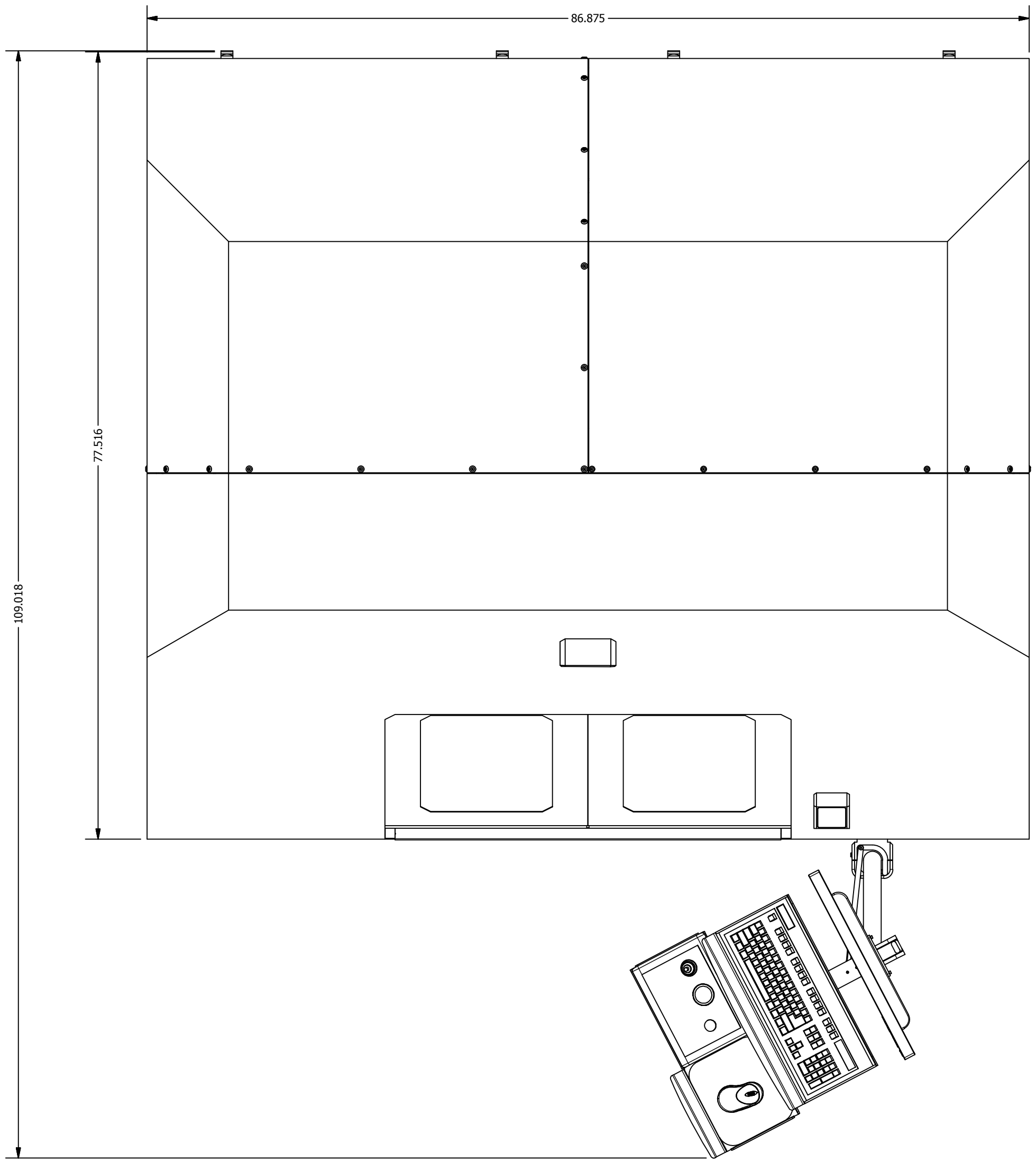
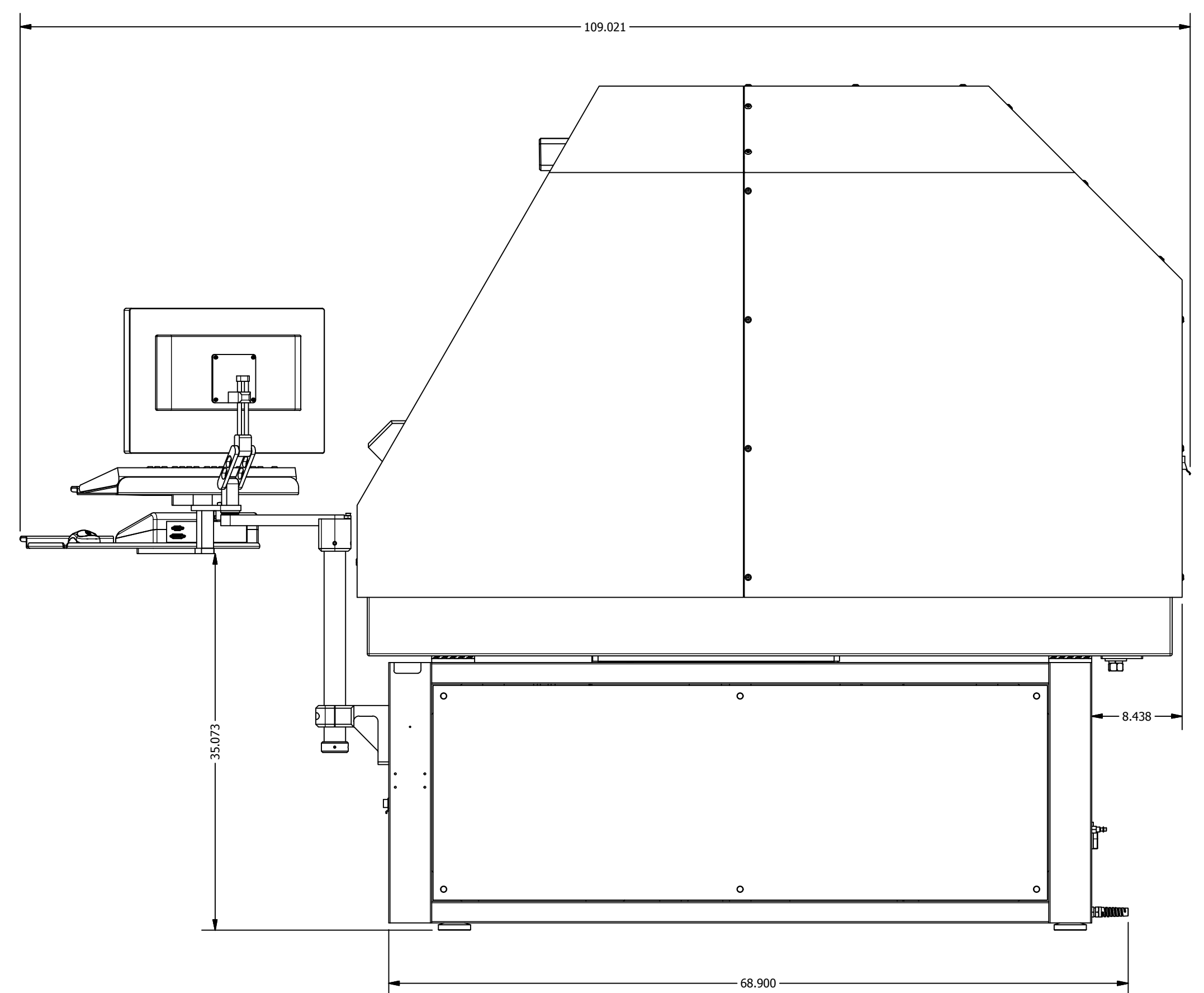
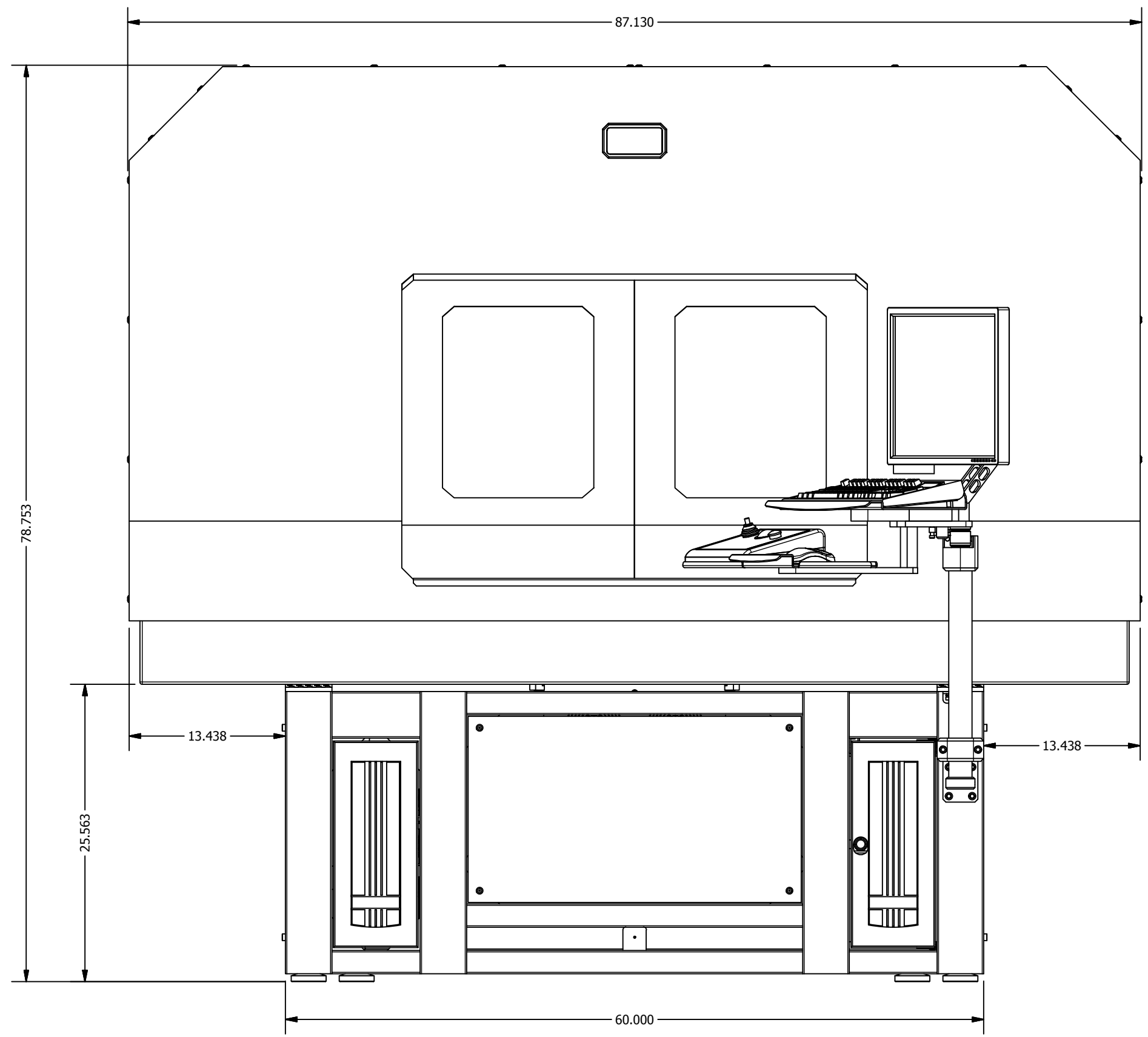


REVISION HISTORY			
REV.	DESCRIPTION	DATE	BY
A	As Issued	03/26/15	???



### 712XA Footprint

- Options may vary from those shown.
- Typical monitor position shown. Monitor arm height and rotation is adjustable.
- Allow 24" clearance for side panels.
- Allow 18" for rear panel access.
- Allow for air and electrical connection at rear of machine.



The information in this drawing is the CONFIDENTIAL property of Operations Technology, Incorporated. Disclosure or duplication without prior approval is strictly prohibited.

**OPTEK**  
OPERATIONS TECHNOLOGY INC.  
(UNLESS NOTED)

TOLERANCES: UNITS = INCH [MM]  
 0.00 [0.0]; ±0.030 [±0.75]  
 0.000 [0.00]; ±0.010 [±0.25]  
 0.0000 [0.000]; ±0.0010 [±0.025]

TITLE: Layout, Machine Footprint, 712XA

MATERIAL:

FINISH:

DATE: 9/15/2014 SCALE: 1 : 10 SHEET: 1 OF 1

DRAWING NUMBER: 7100-3501 REV: A

DESIGN BY: Craig Smigel DRAWN BY: Carl Trubiano