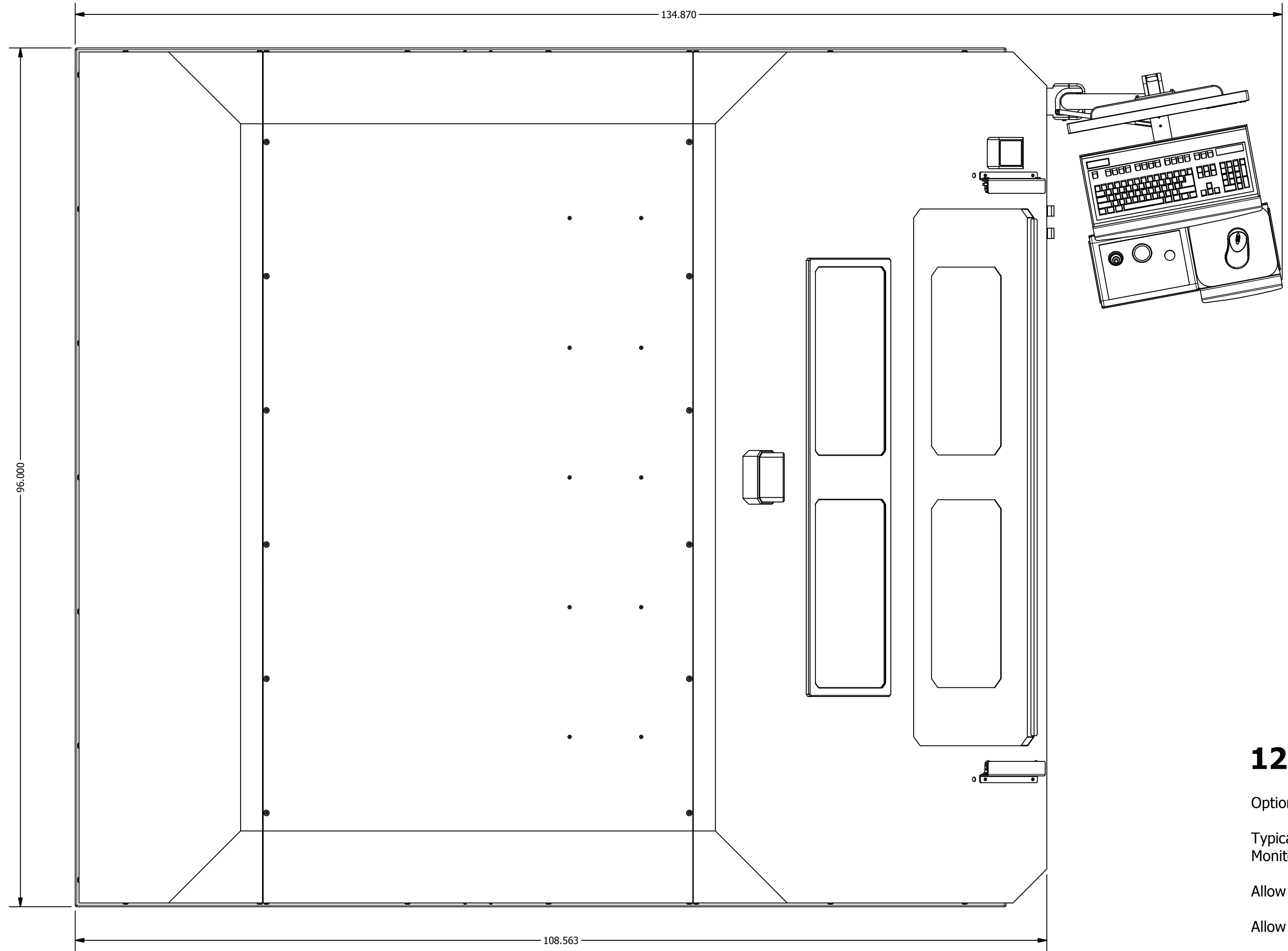


REVISION HISTORY			
REV.	DESCRIPTION	DATE	BY
A	As Issued	03/26/15	???



1272XA Footprint

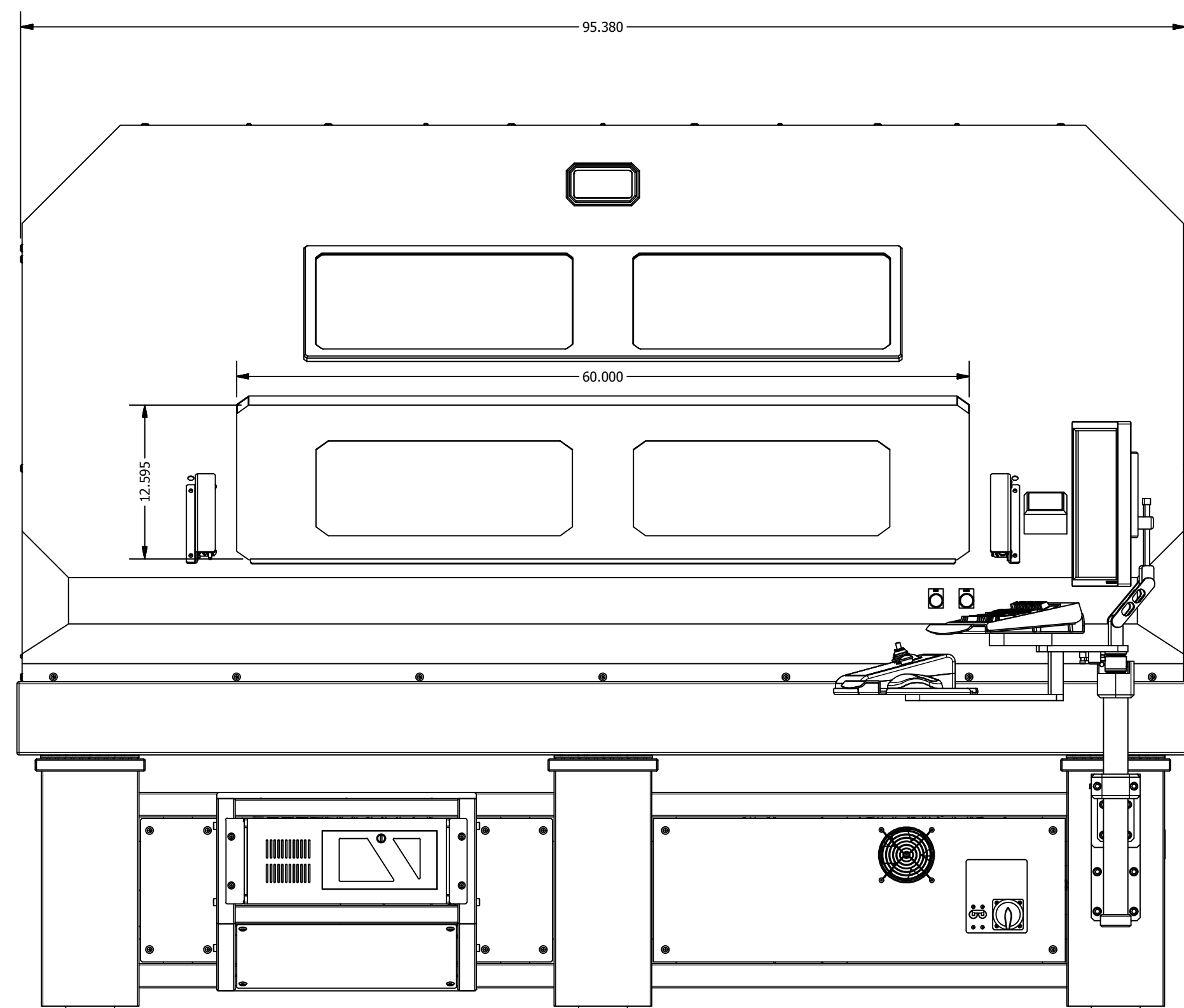
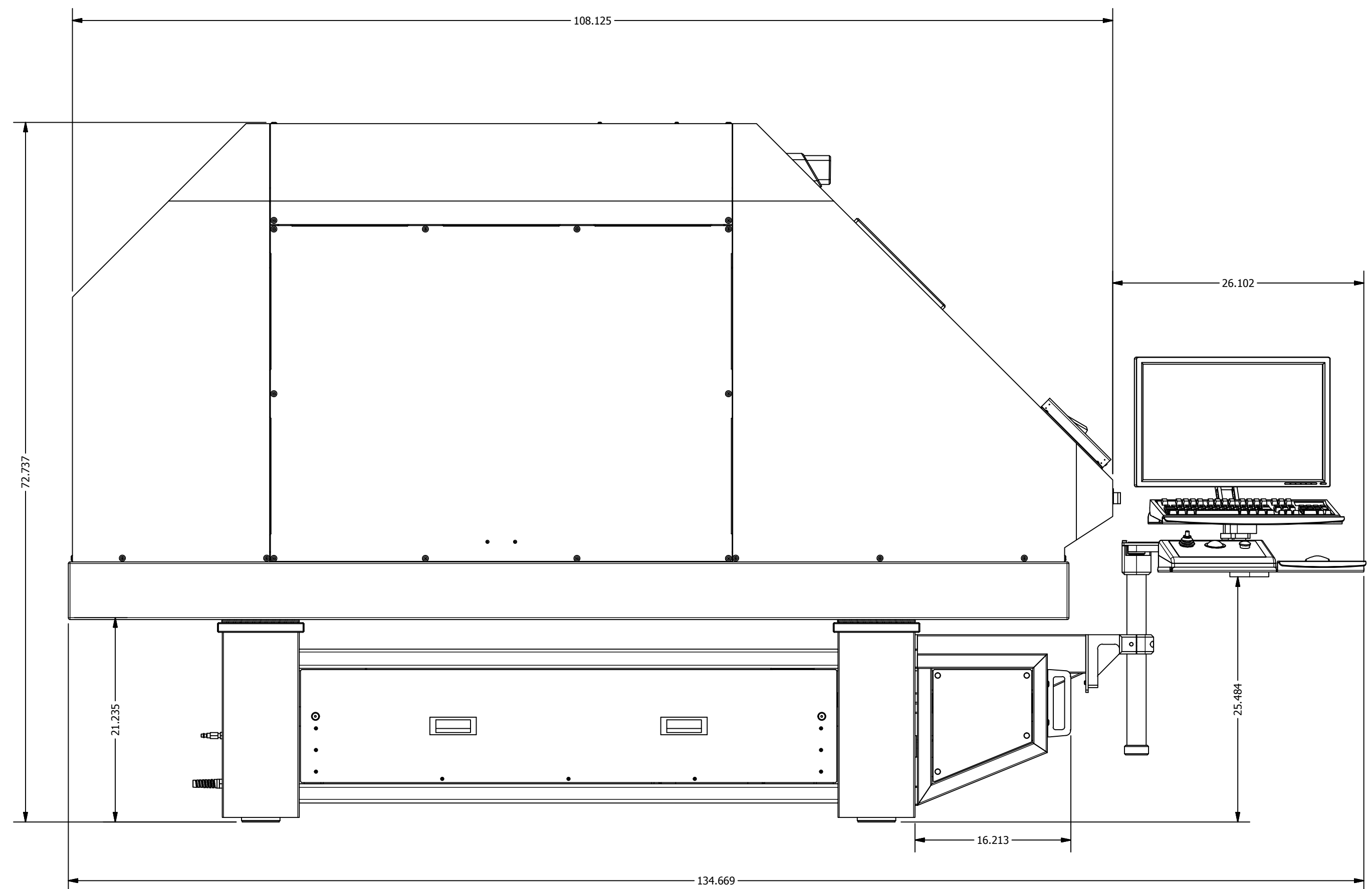
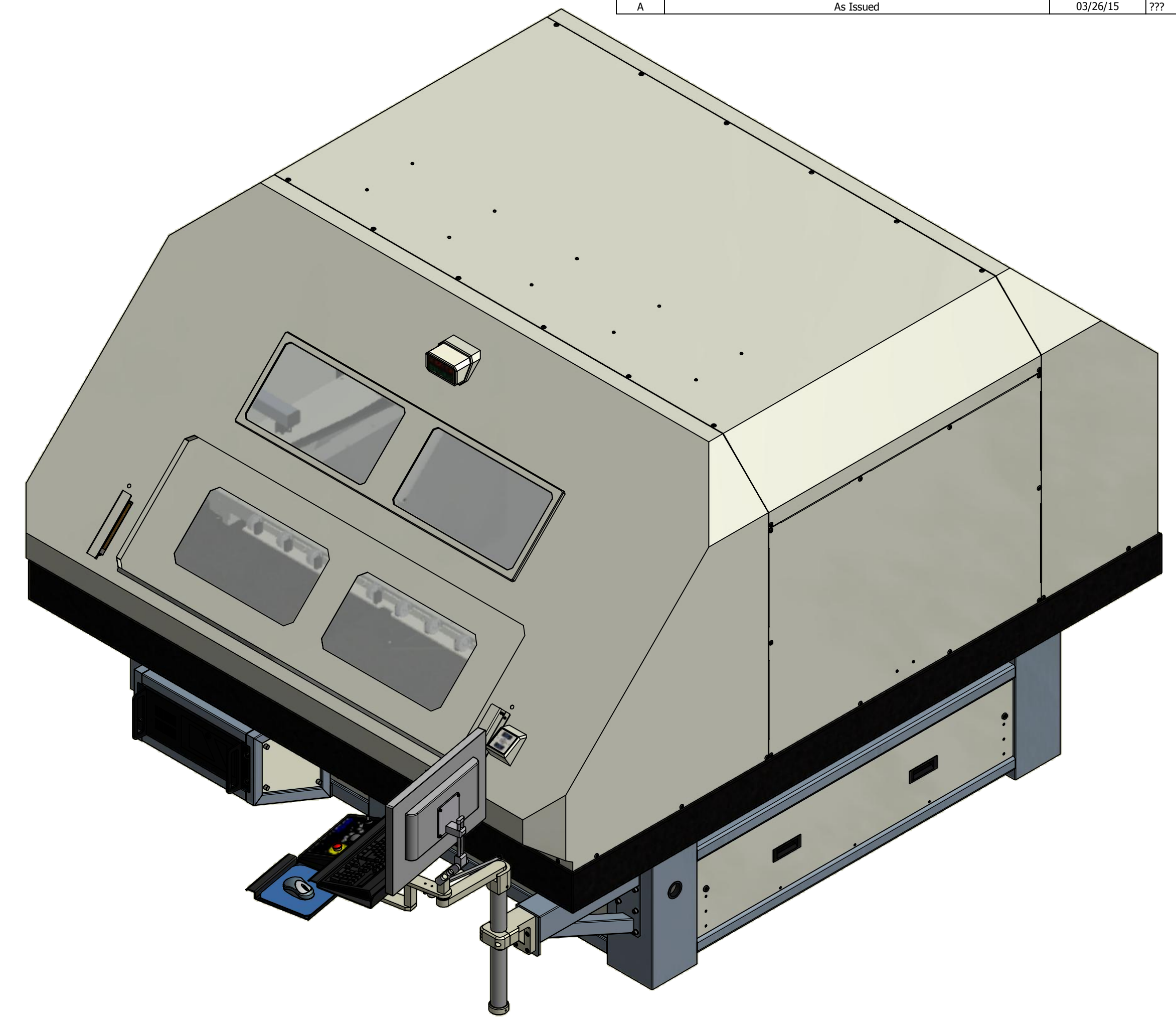
Options may vary from those shown.

Typical monitor position shown.
Monitor arm height and rotation is adjustable.

Allow 36" clearance for side drawers.

Allow for air and electrical connection at rear of machine.

Allow 24" front for computer slides.



The information in this drawing is the CONFIDENTIAL property of Operations Technology, Incorporated. Disclosure or duplication without prior approval is strictly prohibited.

OPTEK
OPERATIONS TECHNOLOGY INC.
(UNLESS NOTED)

TOLERANCES:
0.00 [0.0]; ±0.030 [±0.75]
0.000 [0.00]; ±0.010 [±0.25]
0.0000 [0.000]; ±0.0010 [±0.025]

UNITS = INCH [MM]

DATE: 9/15/2014 SCALE: 1 : 10 SHEET: 1 OF 1

DRAWING NUMBER: 7100-3463

DESIGN BY: Craig Smigel DRAWN BY: Carl Trubiano

TITLE: Layout, Machine Footprint, 1272XA

REV: A